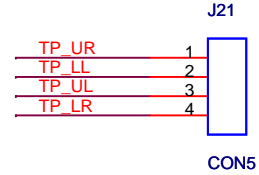
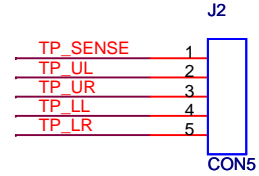
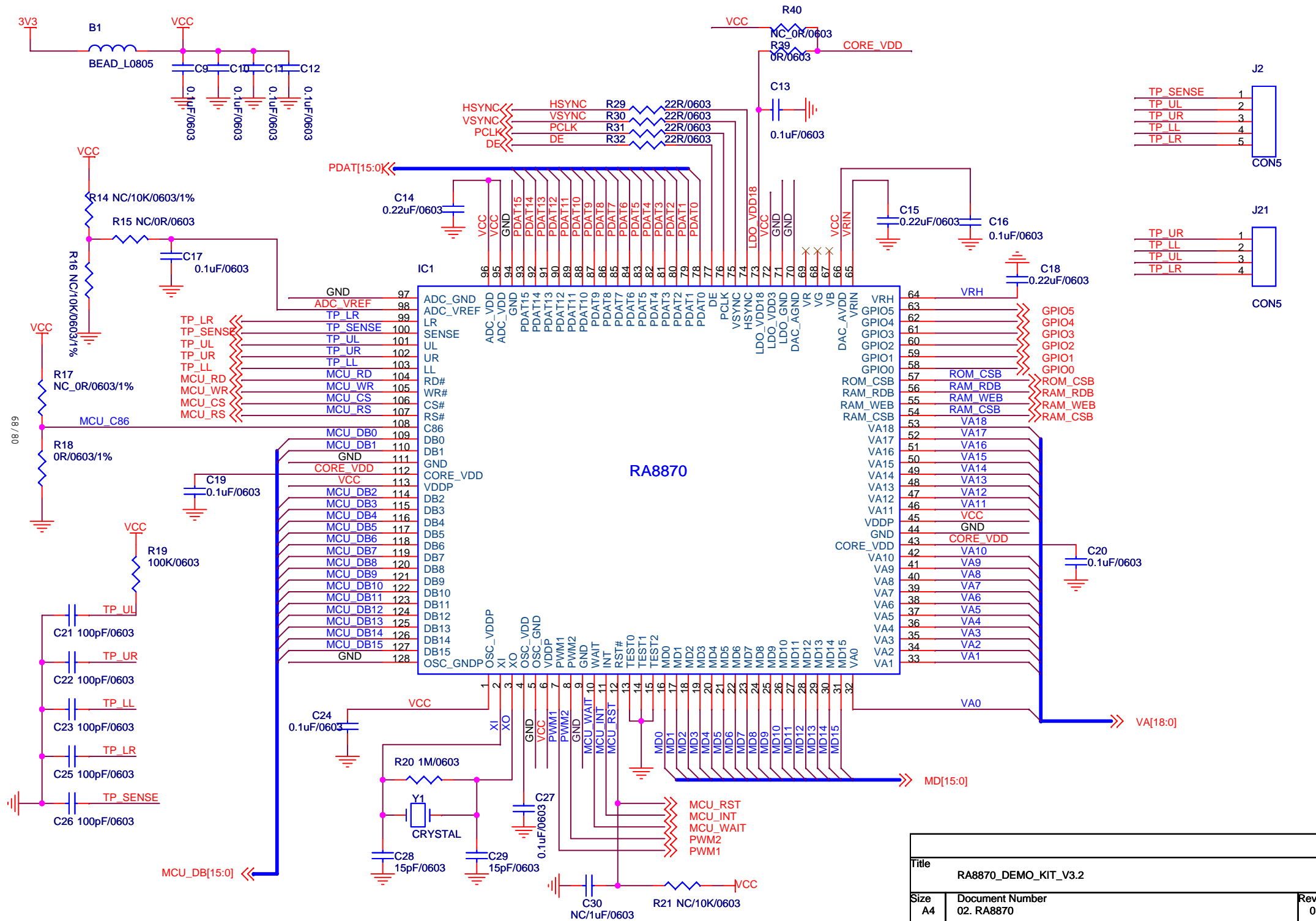
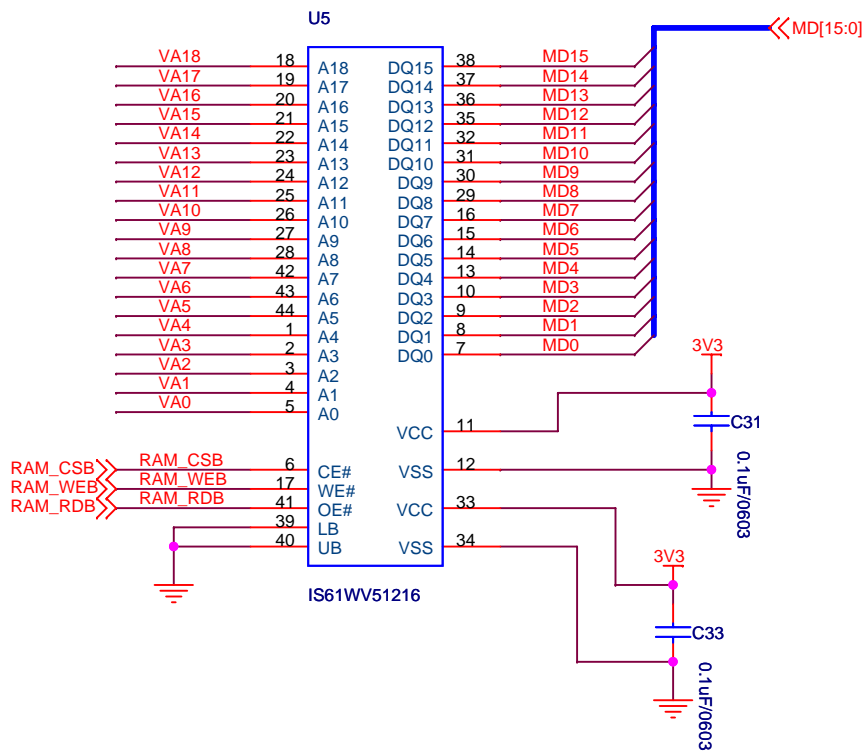


Title		
RA8870_DEMO_KIT_V3.2		
Size	Document Number	Rev
A4	01. POWER	0.0
Date:	Wednesday, March 17, 2010	Sheet 1 of 4

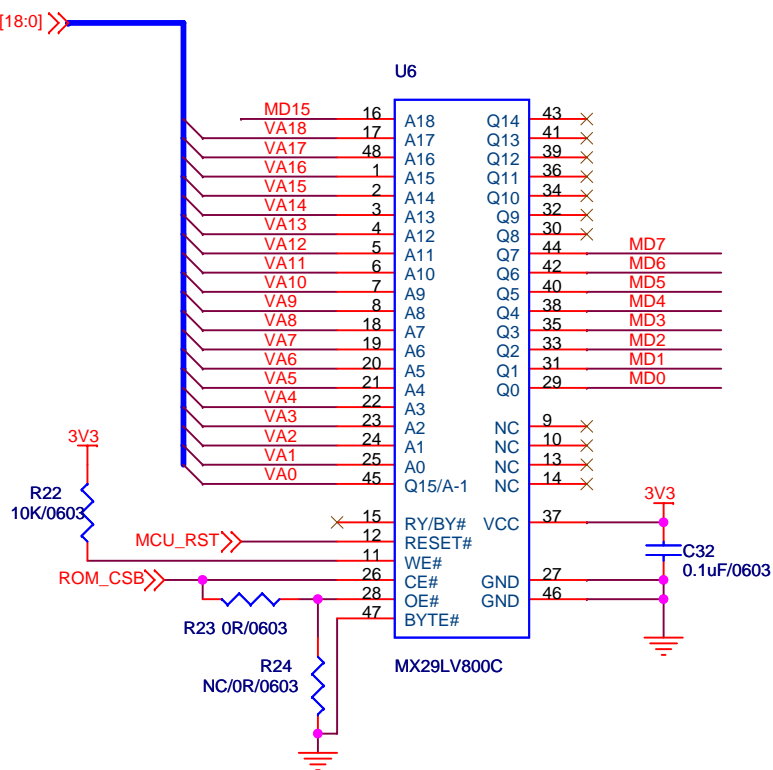


Title		
RA8870_DEMO_KIT_V3.2		
Size	Document Number	Rev
A4	02. RA8870	0.0
Date:	Thursday, July 15, 2010	Sheet 2 of 4

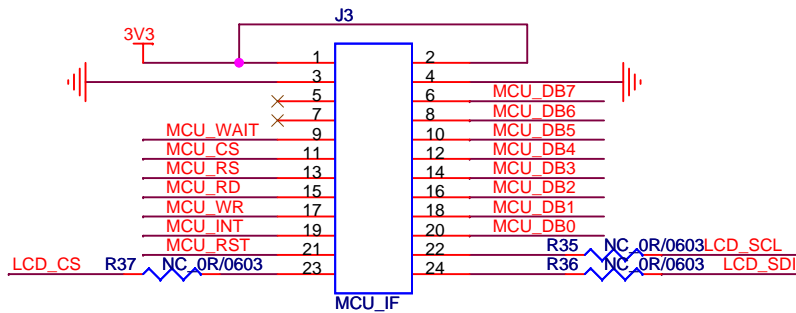
EXTERNAL SRAM



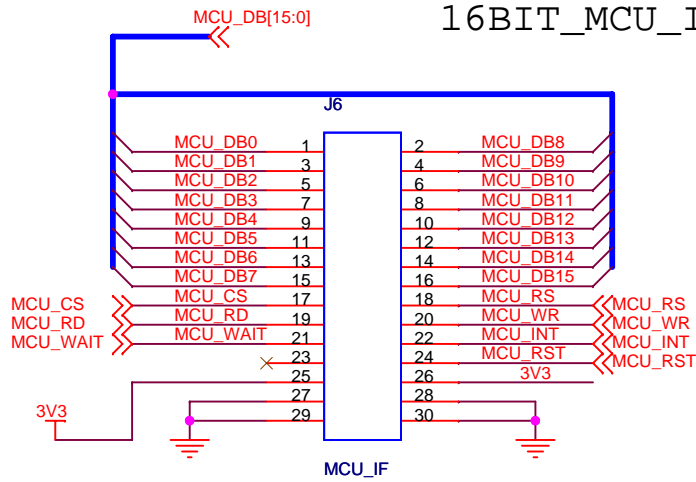
EXTERNAL FONT FLASH ROM



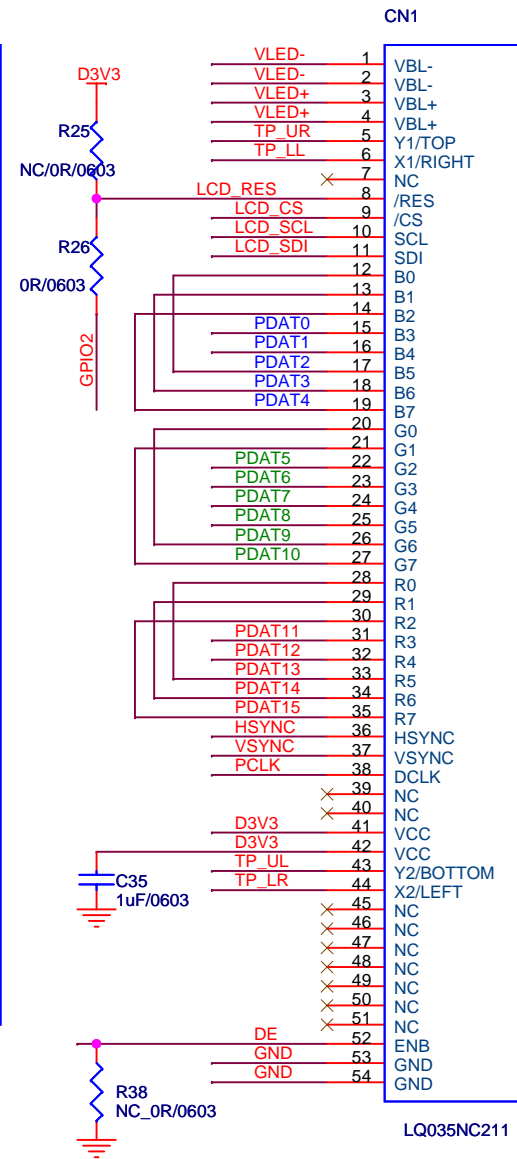
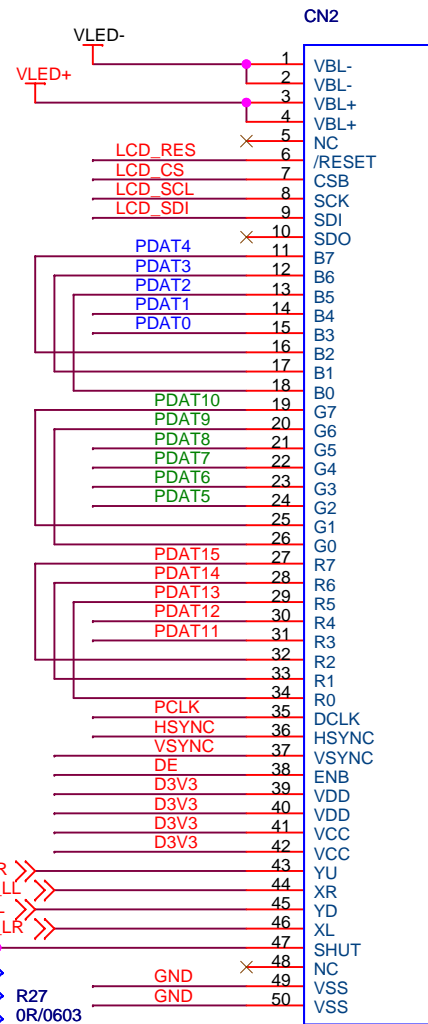
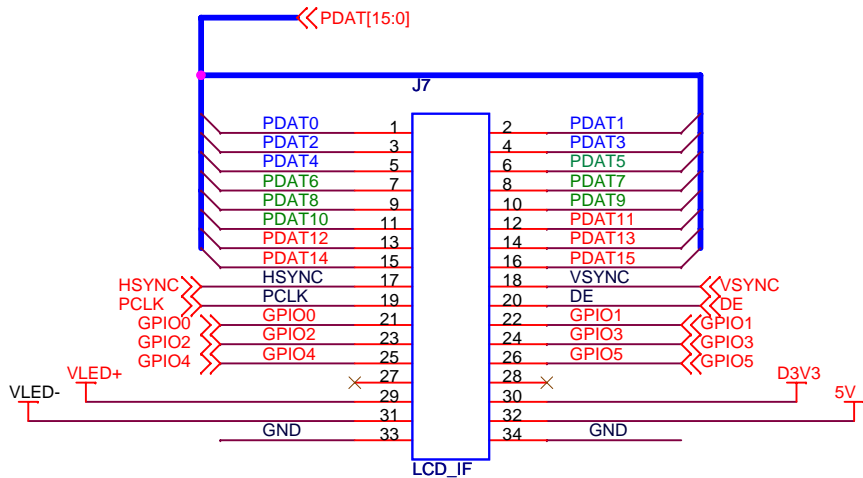
8BIT_MCU_INTERFACE



16BIT_MCU_INTERFACE



LCD_INTERFACE



Title		
RA8870_DEMO_KIT_V3.2		
Size	Document Number	Rev
A4	04.MCU&LCD INTERFACE	0.0
Date:	Wednesday, March 17, 2010	Sheet 4 of 4