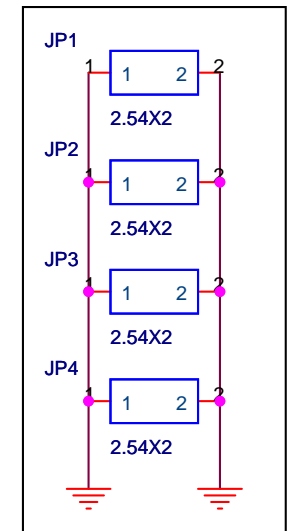
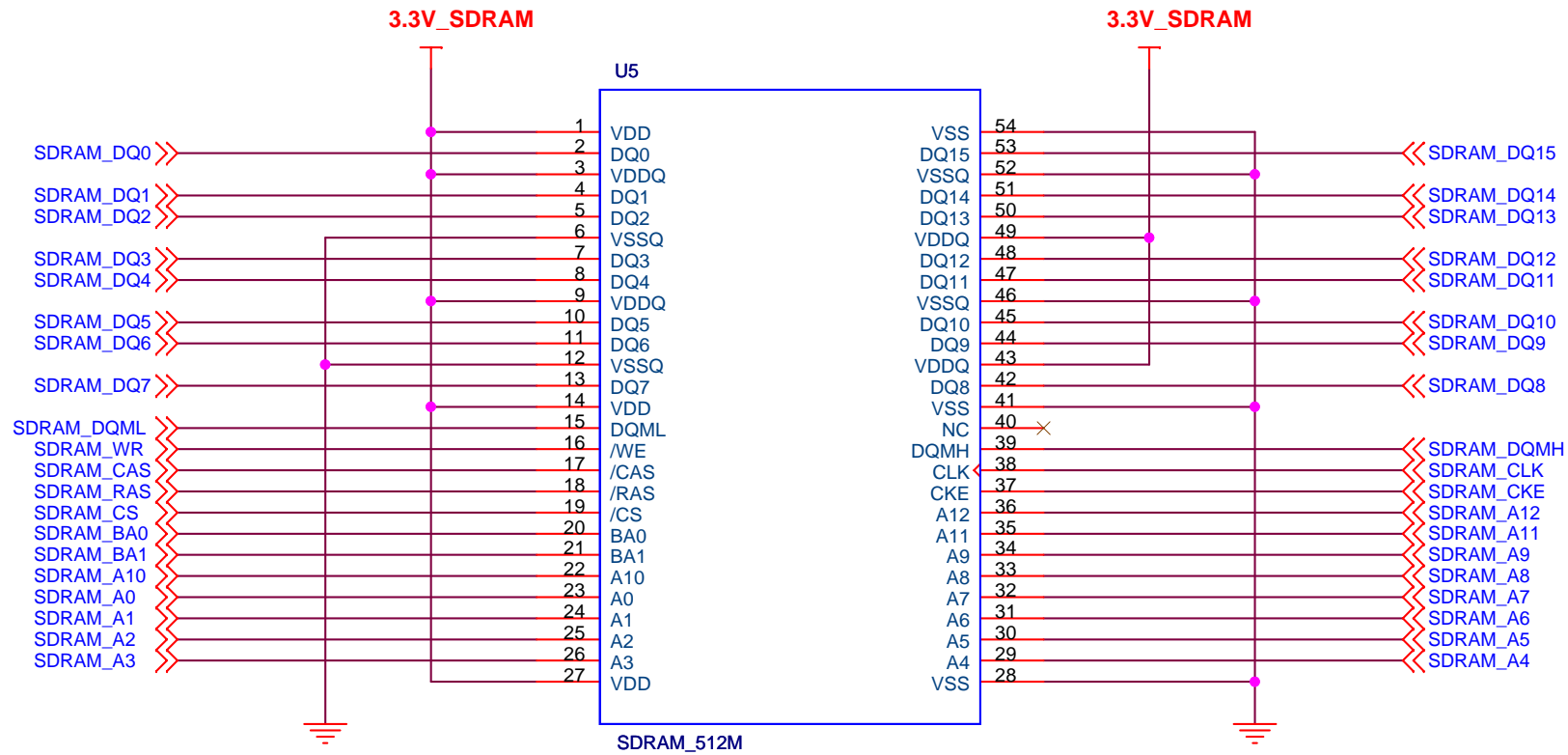
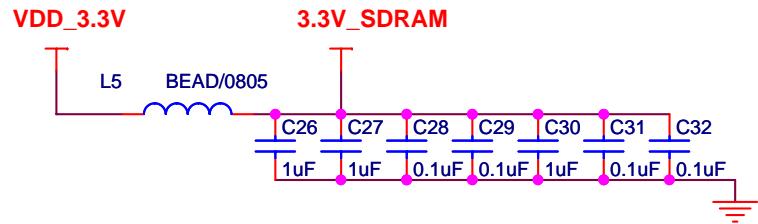


分布板子四邊

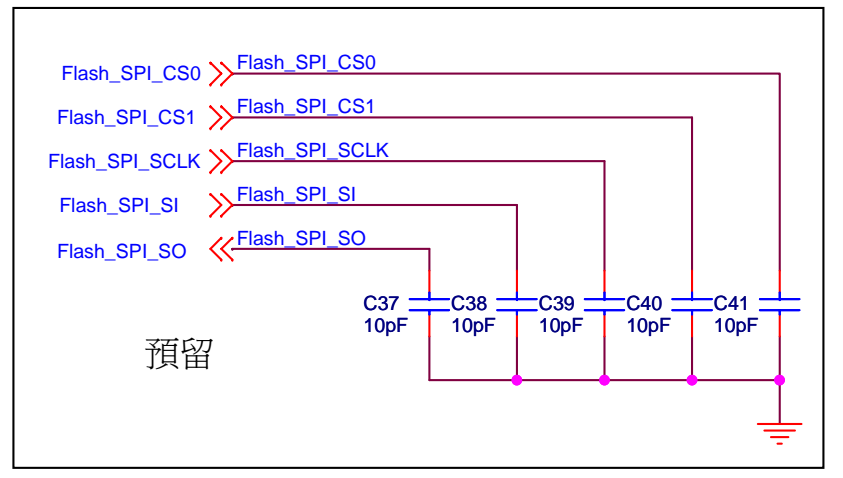
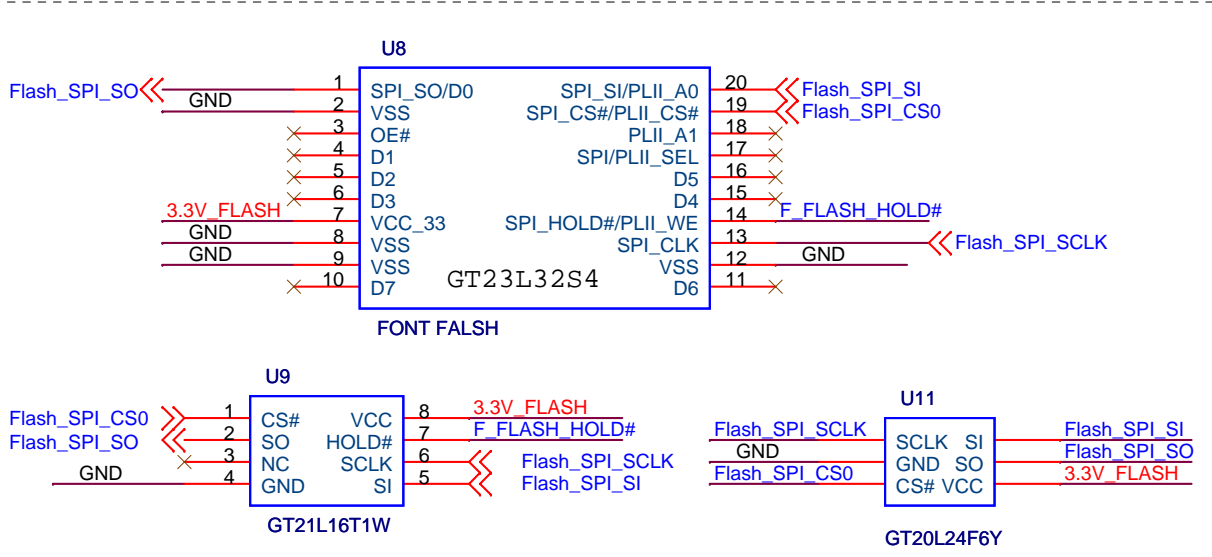
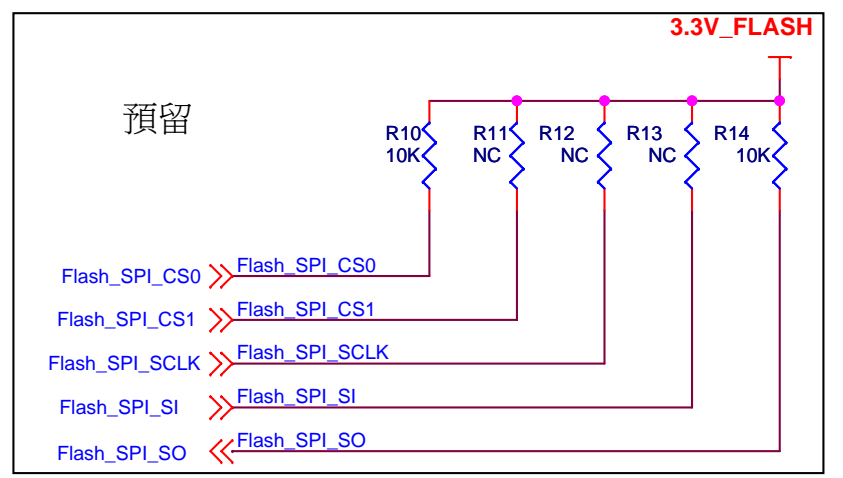
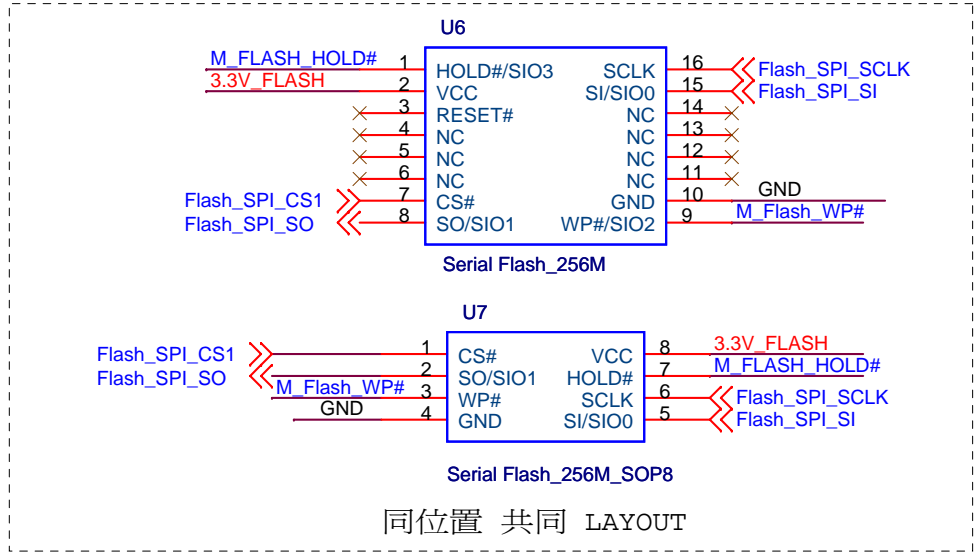
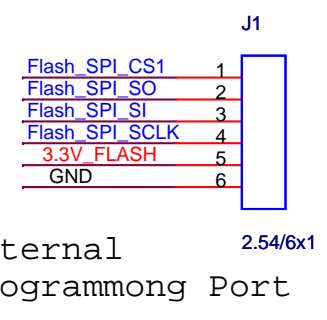
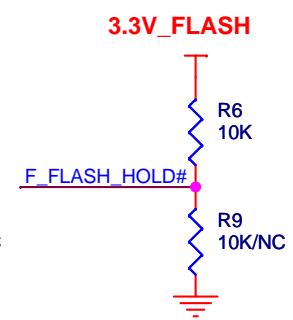
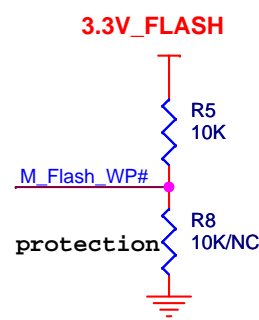
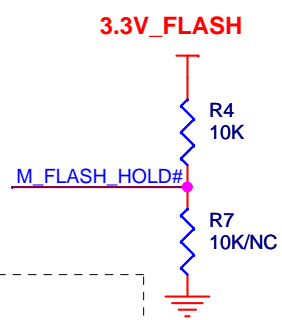
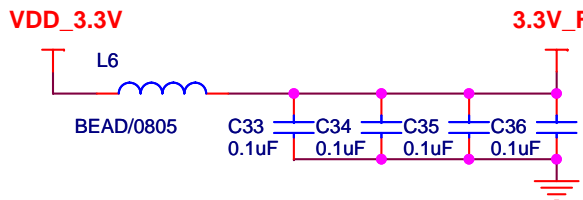


RA8877_B_Demo Board

Size A	Document Number 01_RA8877_VCC	Rev A
Date: Monday, September 02, 2013	Sheet 1	of 10



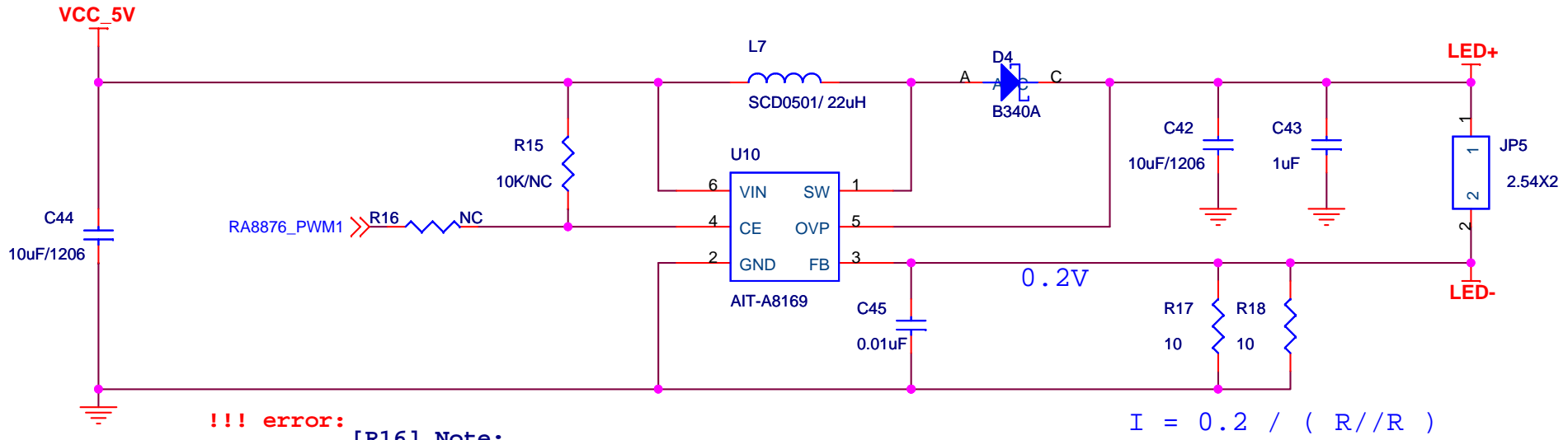
RA8877_B_Demo Board		
Size A	Document Number 03_RA8877_SDRAM	Rev A
Date:	Thursday, August 29, 2013	Sheet 3 of 10



RA8877_B_Demo Board		
Size A	Document Number 04_RA8877_Flash	Rev A
Date:	Monday, September 02, 2013	Sheet 4 of 10

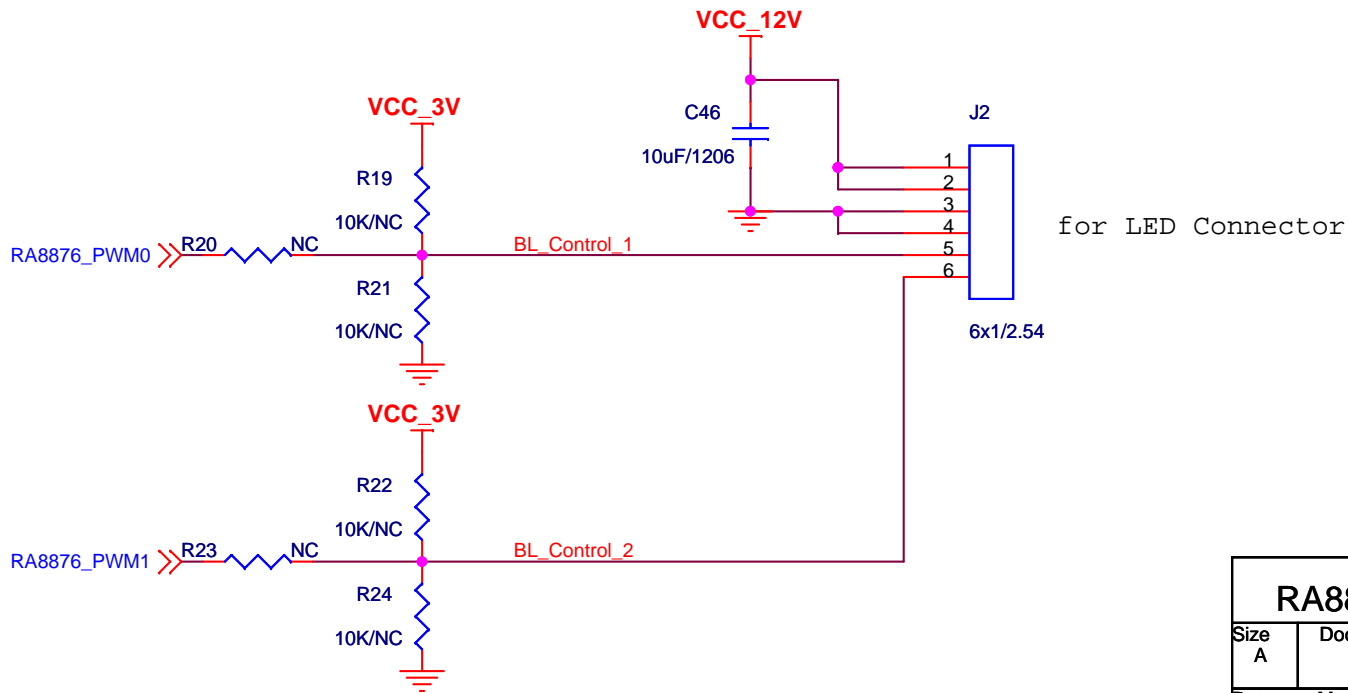
U9 PAD 加長

(MAX. 6.0V)



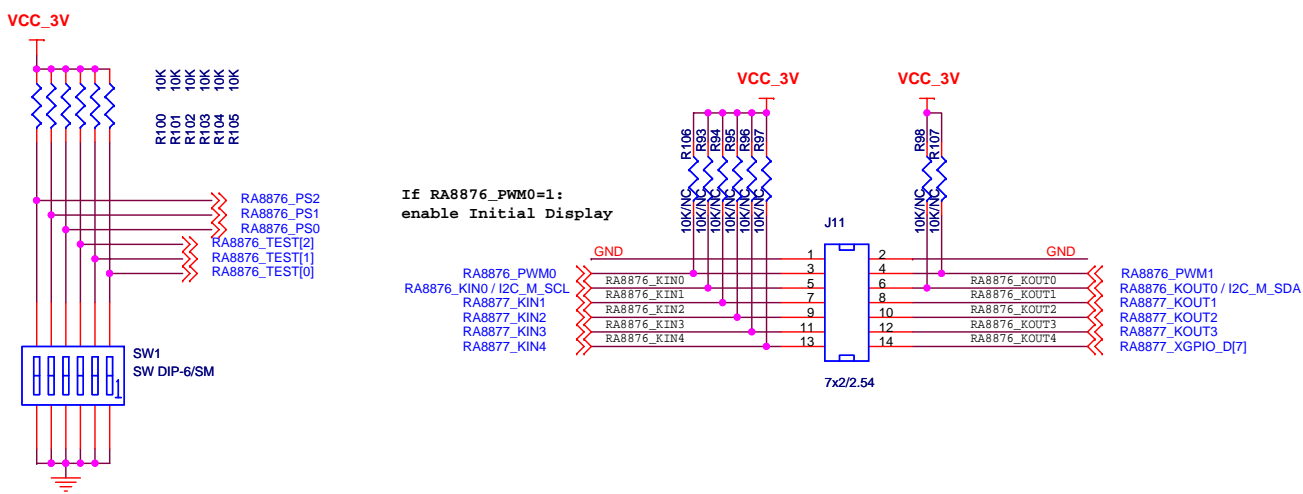
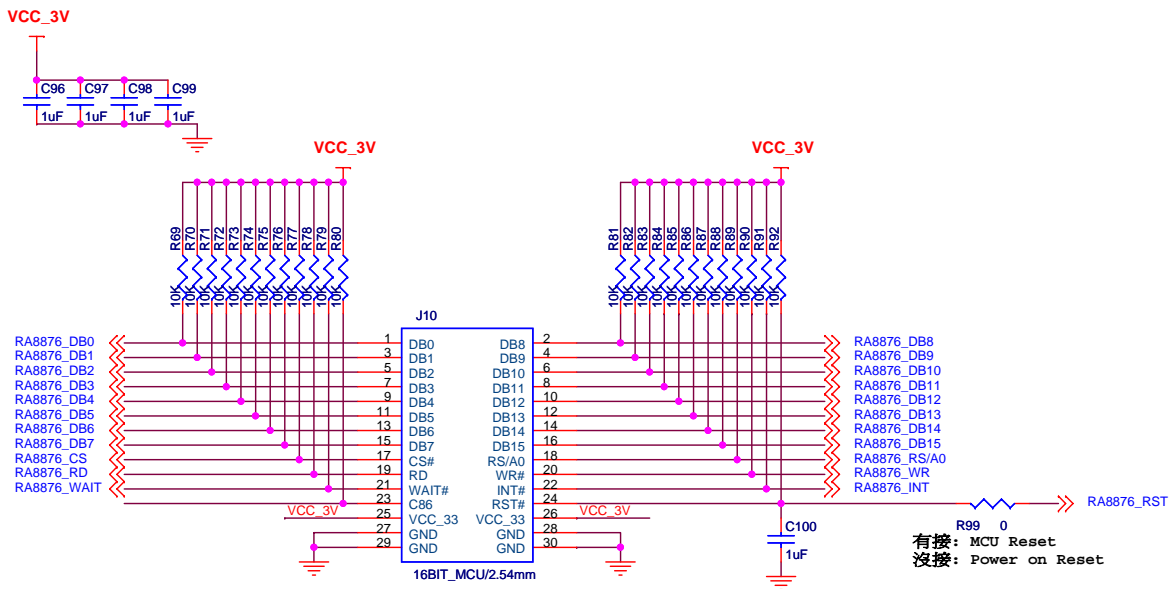
!!! error:
[R16] Note:
RA8877_PWM1 is 3.3V system,
U10_CE is 5V system.
Please be careful with it.

$$I = 0.2 / (R // R)$$

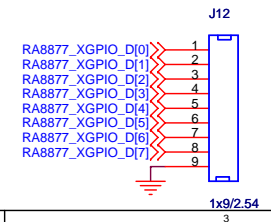


for LED Connector

RA8877_B_Demo Board		
Size A	Document Number 05_RA8877_LCD_BL	Rev A
Date: Monday, January 12, 2015	Sheet 5	of 10



[P.6/5/4]
 00x : 8080
 01x : 6800
 100 : 3-wire
 101 : 4-wire
 11x : I2C



VLDS Connector

