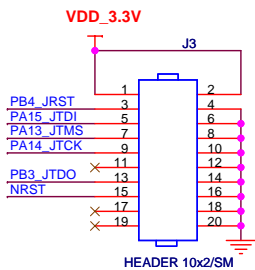
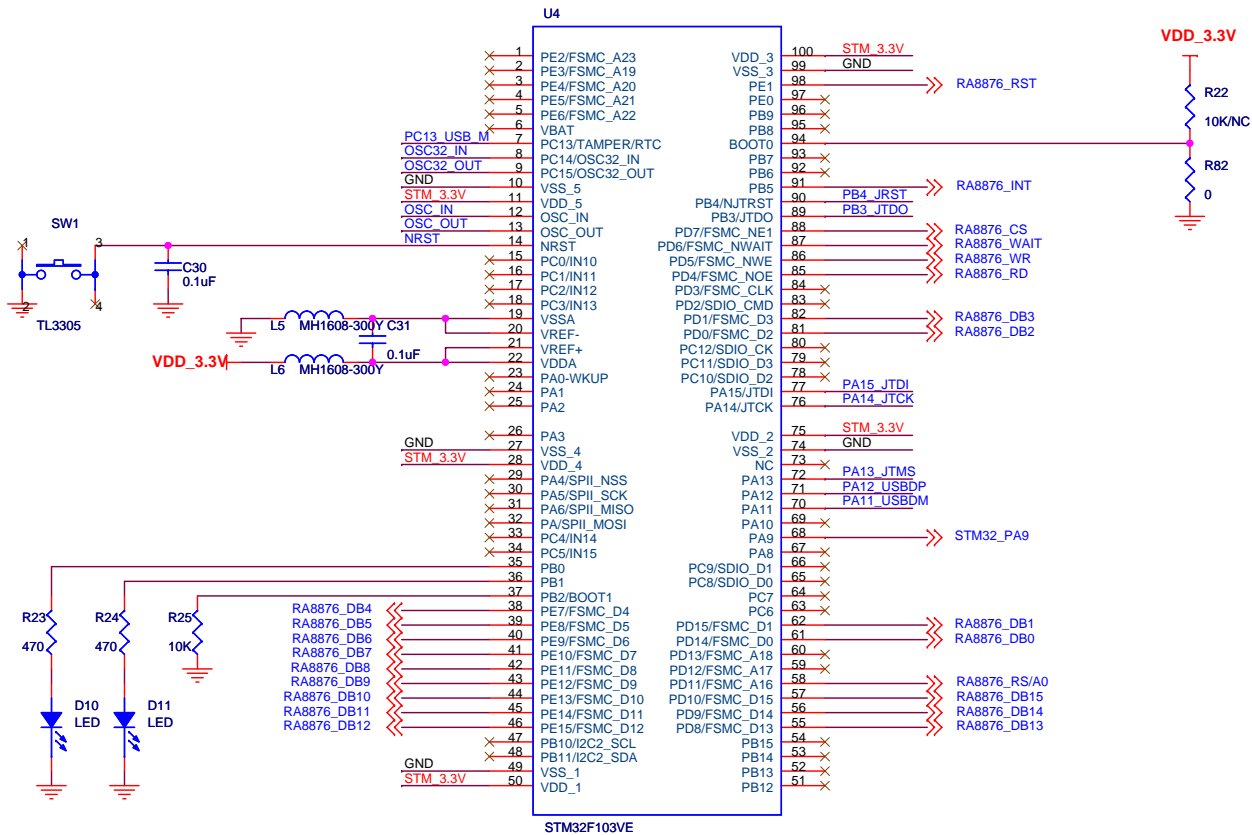
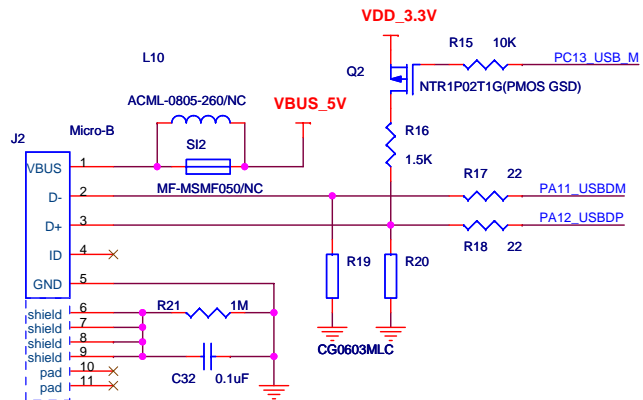
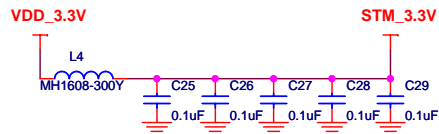
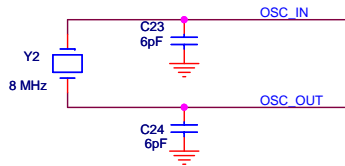
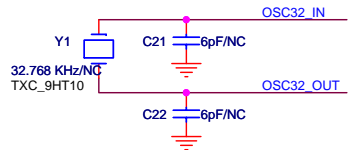
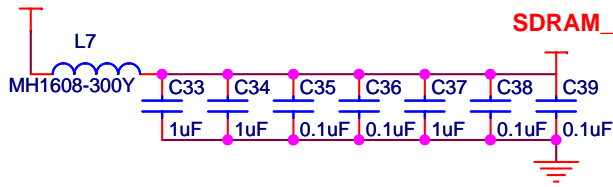


<b>RA8876+STM32F103VE_Evaluation Board</b>		
Size A	Document Number <b>01_RA8876+STM_VDD</b>	Rev A
Date:	Thursday, March 10, 2016	Sheet 1 of 6



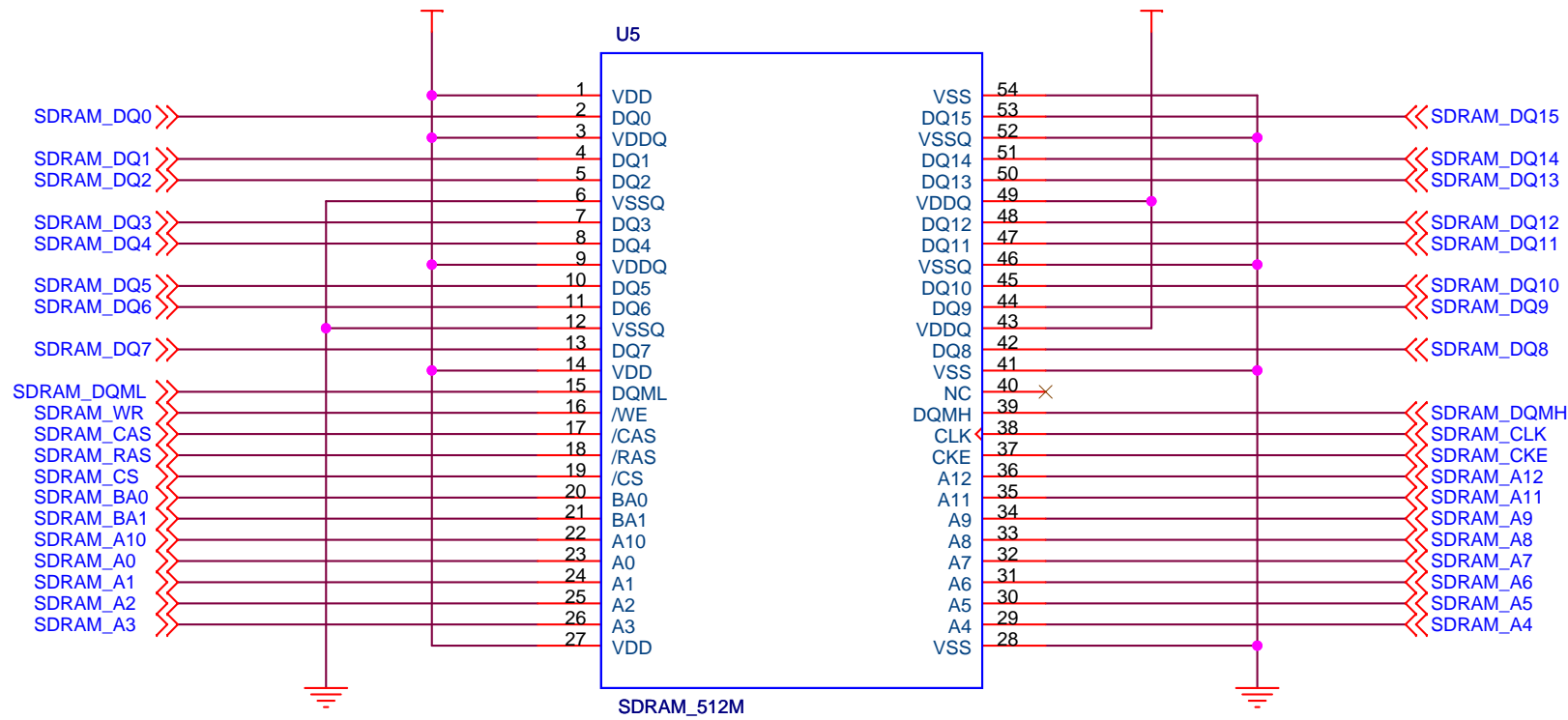
VDD\_3.3V



SDRAM\_3.3V

SDRAM\_3.3V

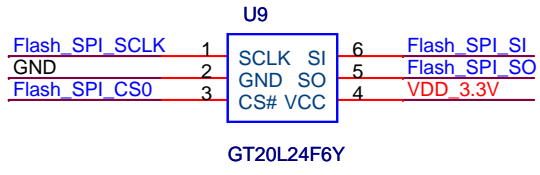
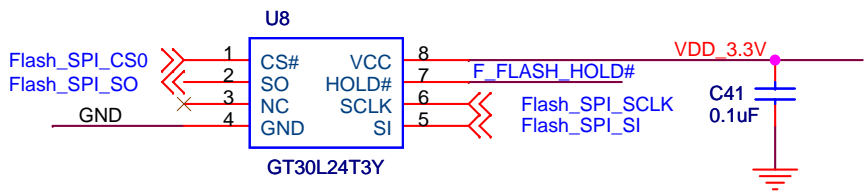
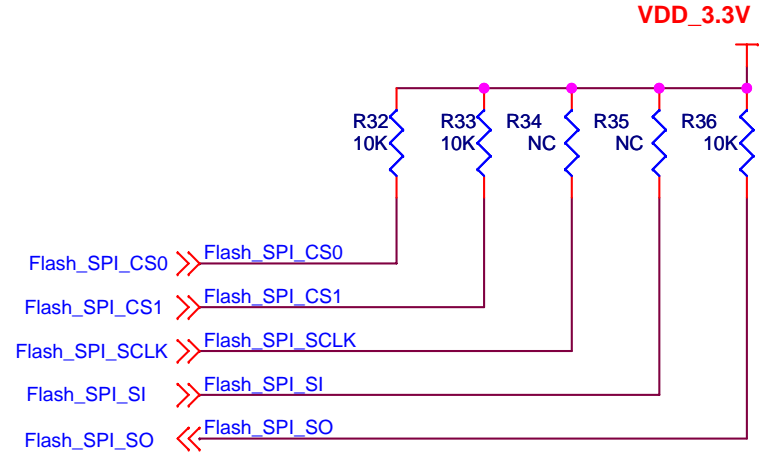
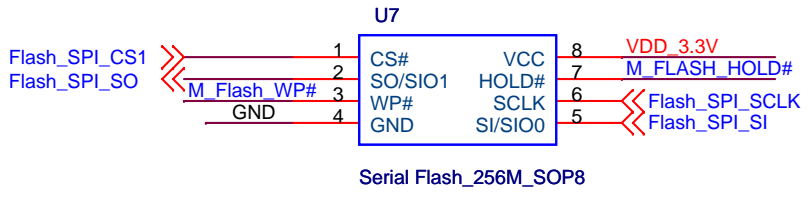
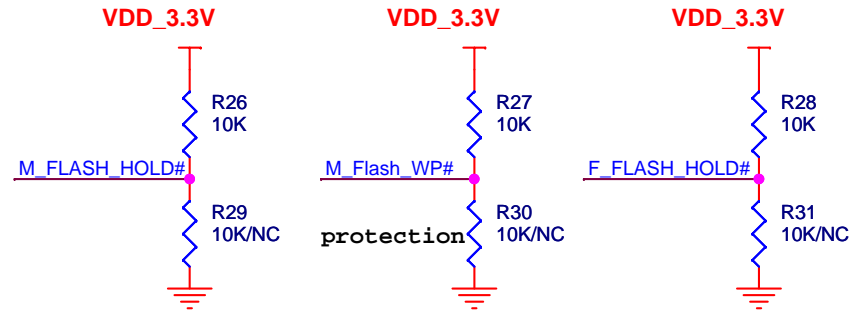
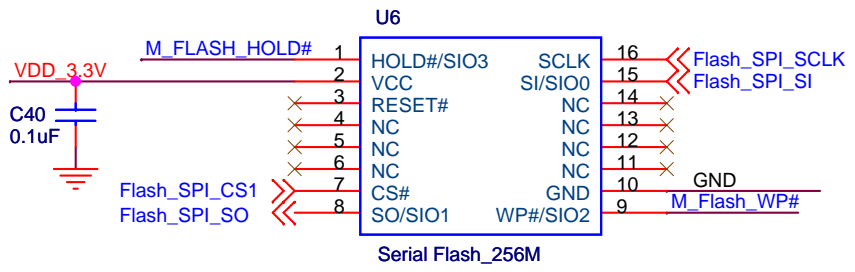
SDRAM\_3.3V



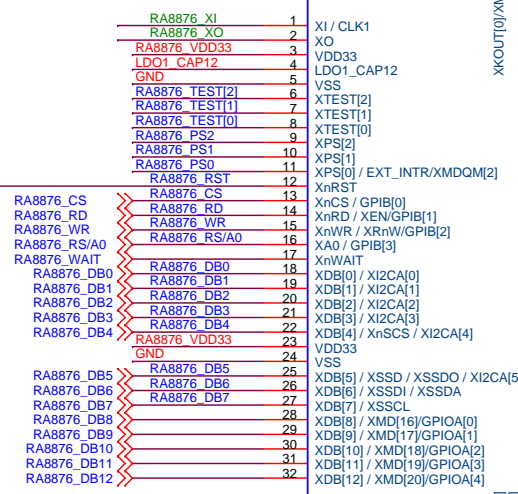
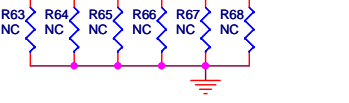
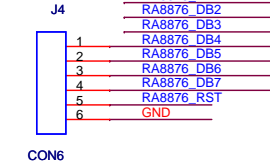
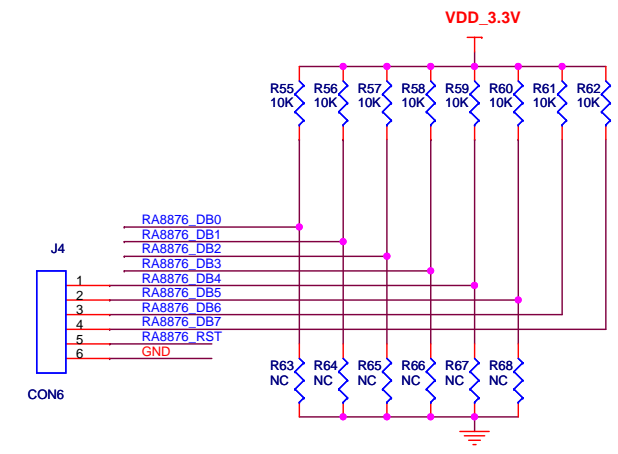
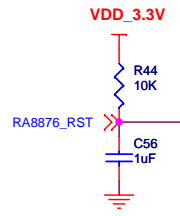
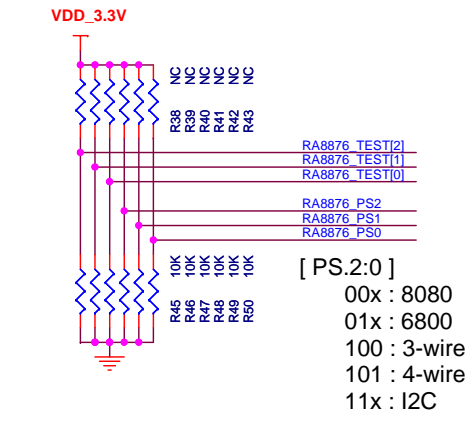
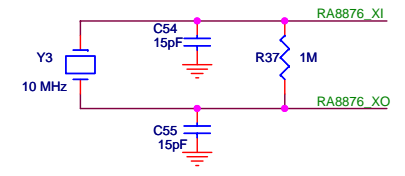
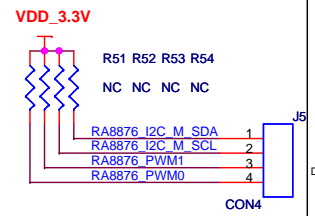
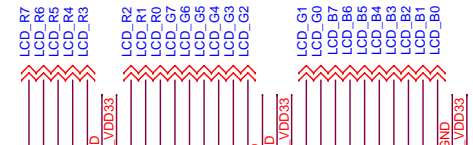
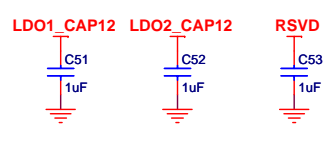
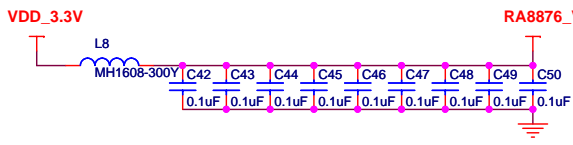
SDRAM\_512M

### RA8876+STM32F103VE\_Evaluation Board

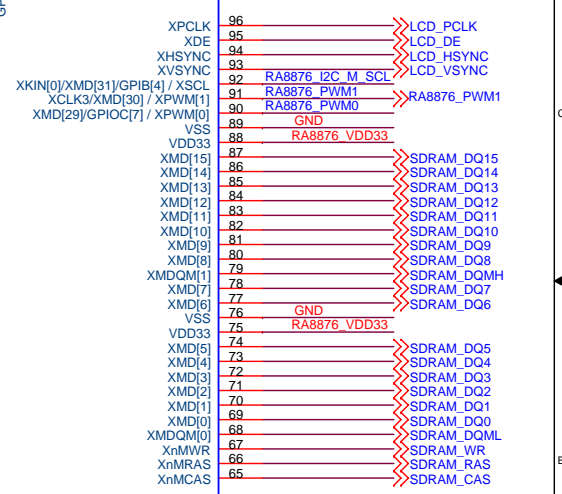
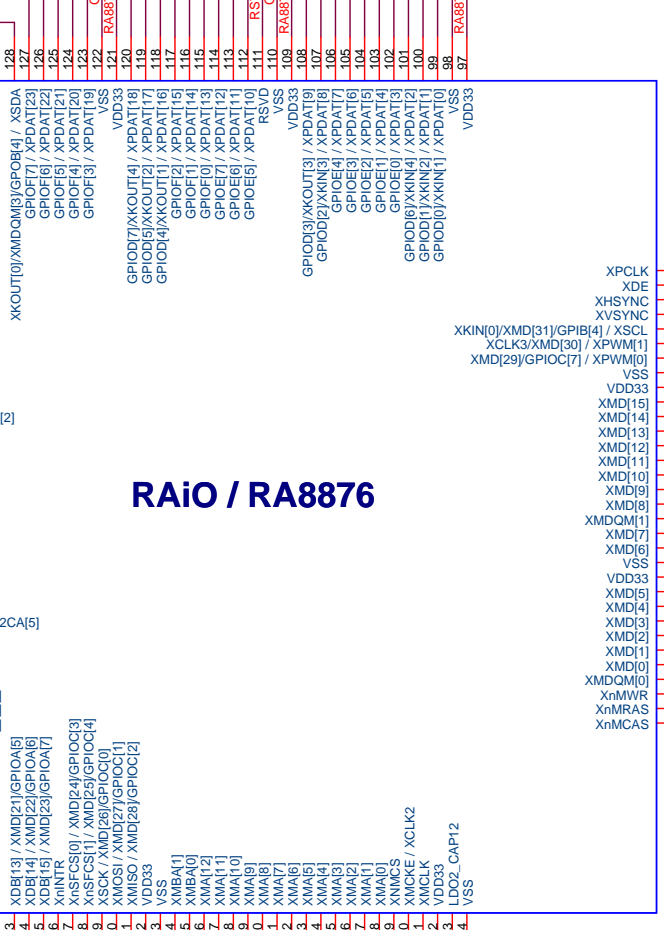
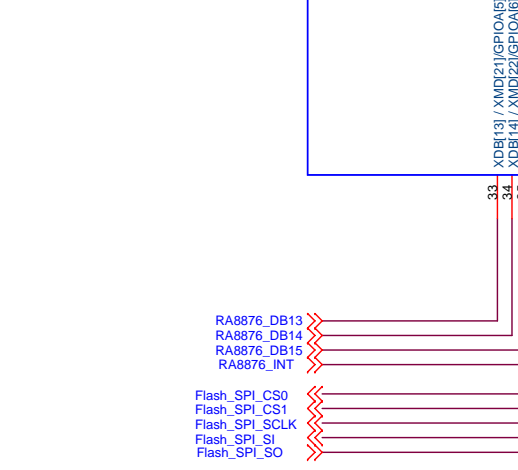
Size A	Document Number 03_RA8876+STM_SDRAM	Rev A
Date:	Wednesday, February 03, 2016	Sheet 3 of 6



<b>RA8876+STM32F103VE_Evaluation Board</b>		
Size A	Document Number <b>04_RA8876+STM_Flash/ROM</b>	Rev A
Date:	Thursday, March 10, 2016	Sheet 4 of 6



# RAI0 / RA8876



<b>RA8876+STM32F103VE_Evaluation Board</b>		
Size B	Document Number	Rev A
05_RA8876+STM_RA8876		
Date:	Wednesday, February 03, 2016	Sheet 5 of 6

