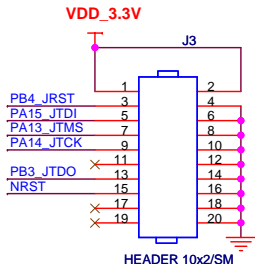
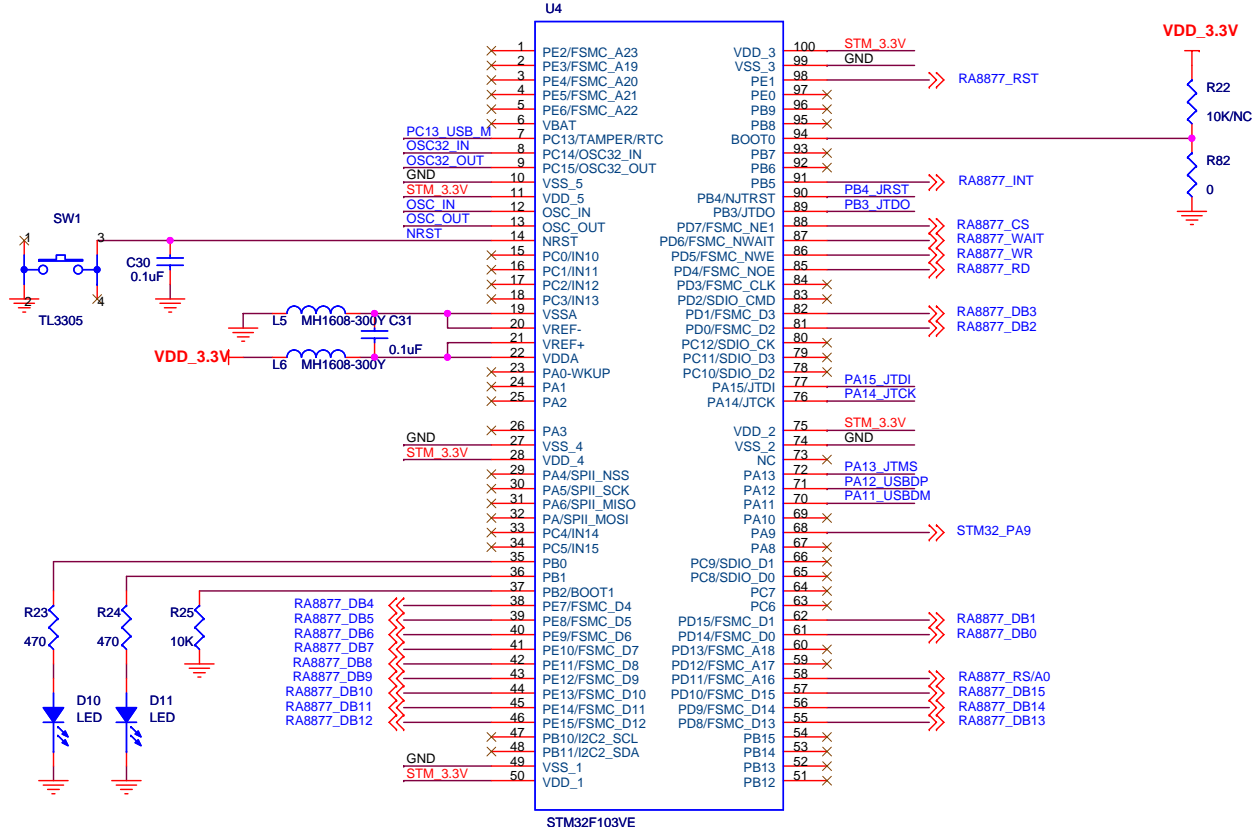
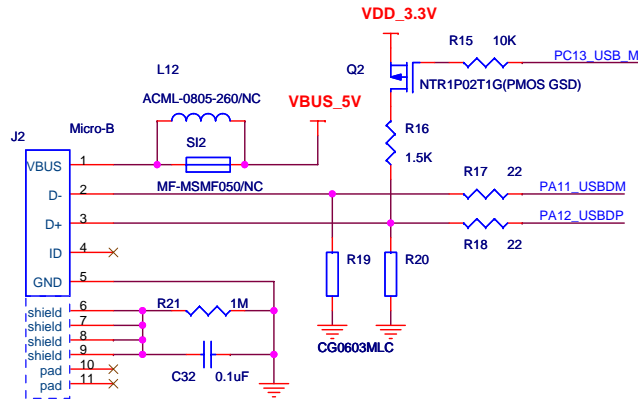
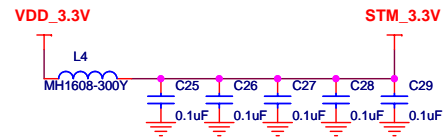
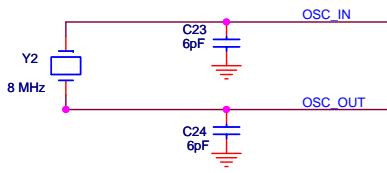
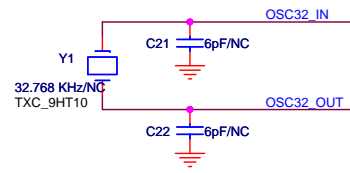
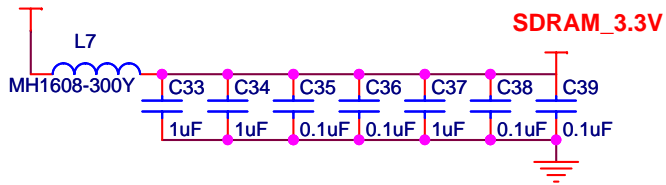


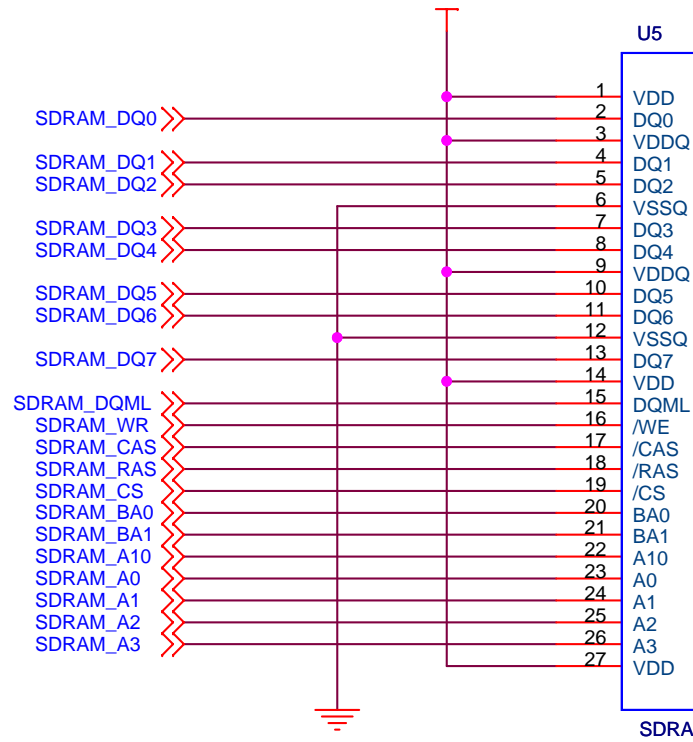
RA8877+STM32F103VE_Evaluation Board		
Size A	Document Number 01_RA8877+STM_VDD	Rev A
Date:	Thursday, March 10, 2016	Sheet 1 of 6



VDD_3.3V



SDRAM_3.3V

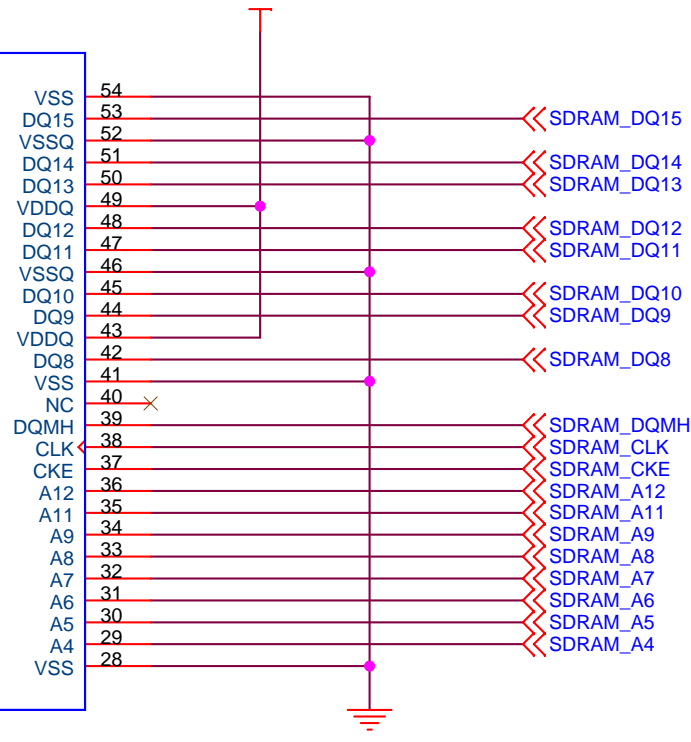


U5



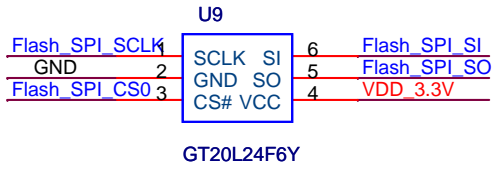
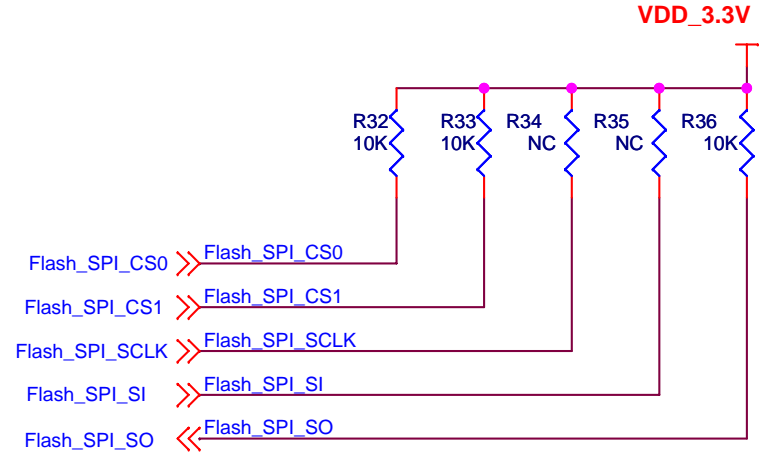
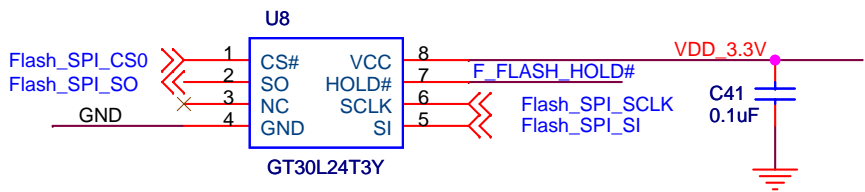
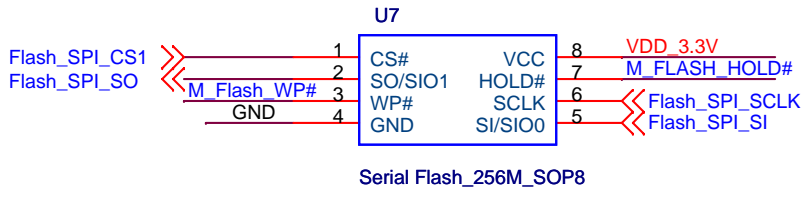
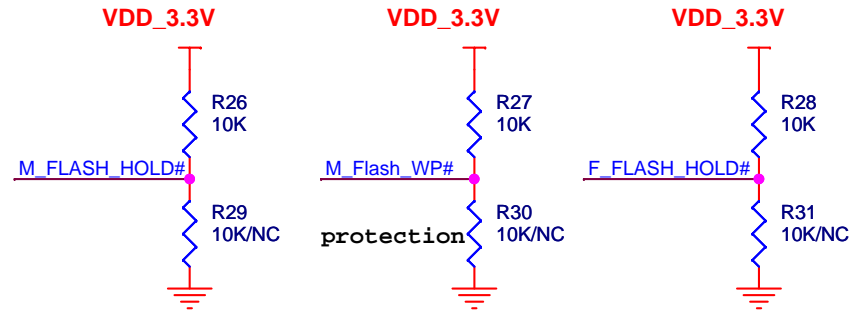
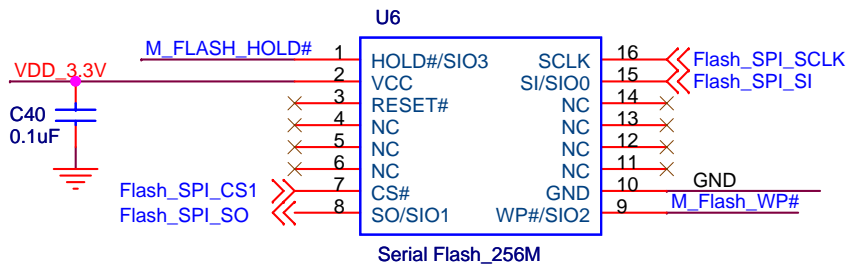
SDRAM_512M

SDRAM_3.3V

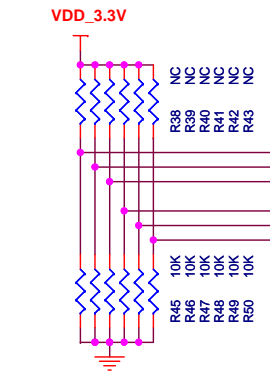
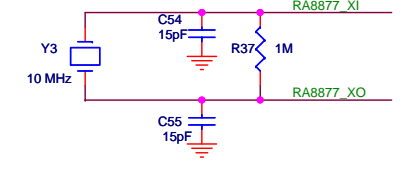
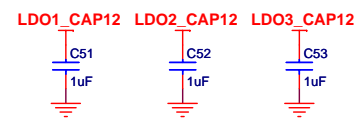
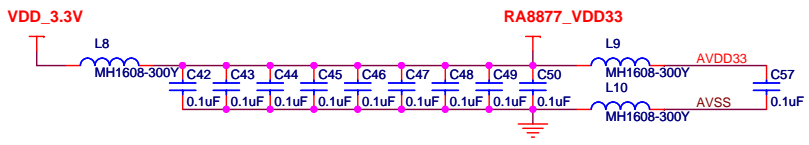


RA8877+STM32F103VE_Evaluation Board

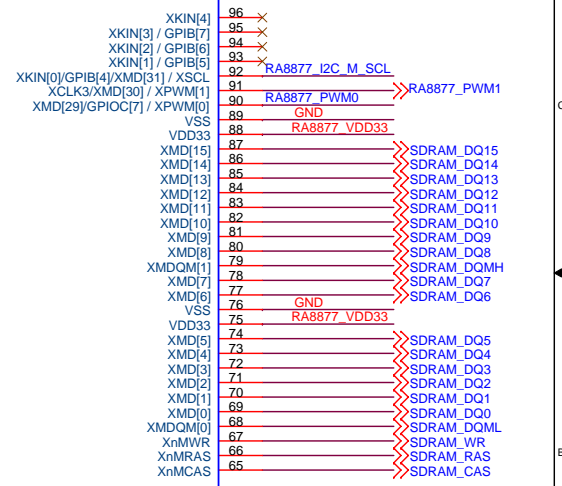
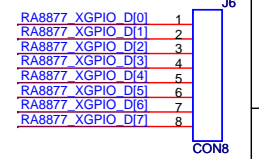
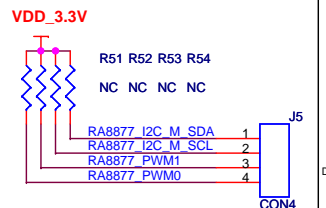
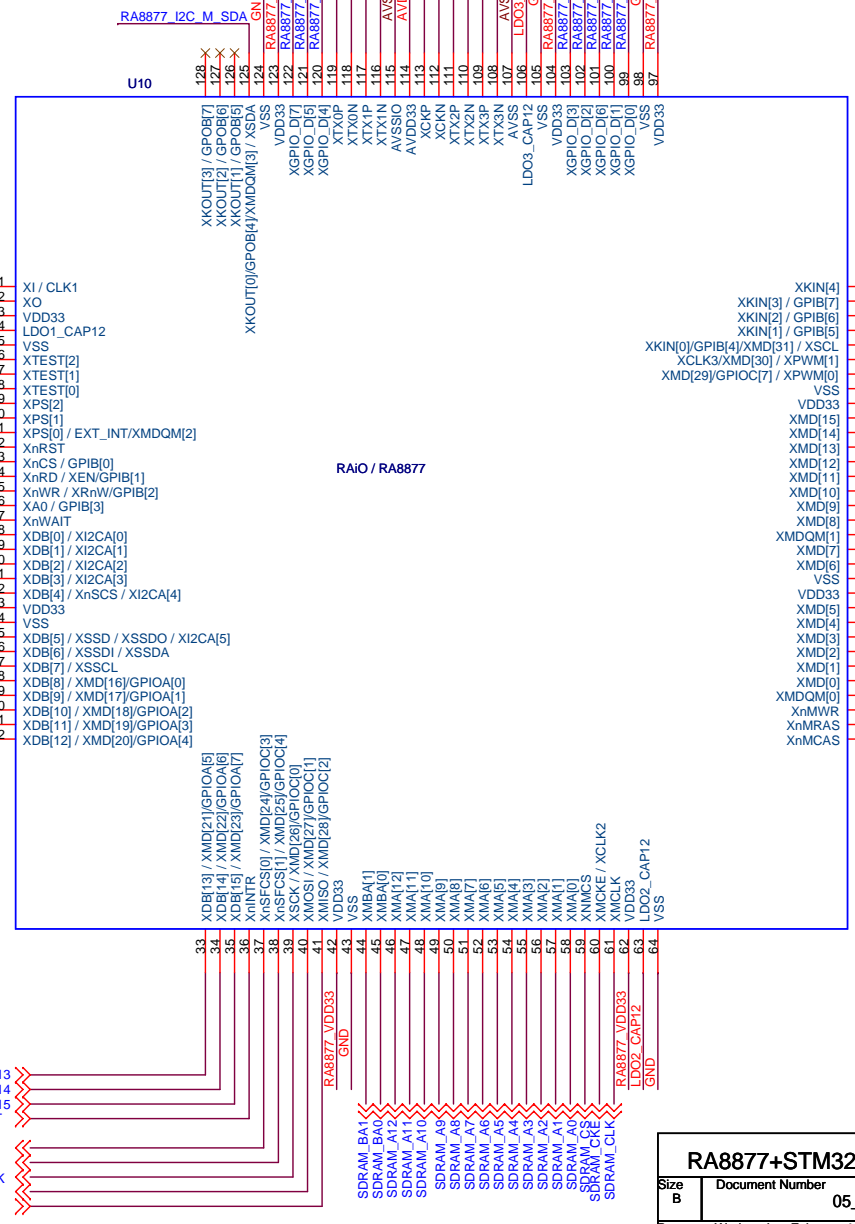
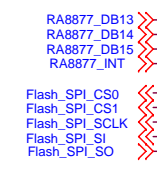
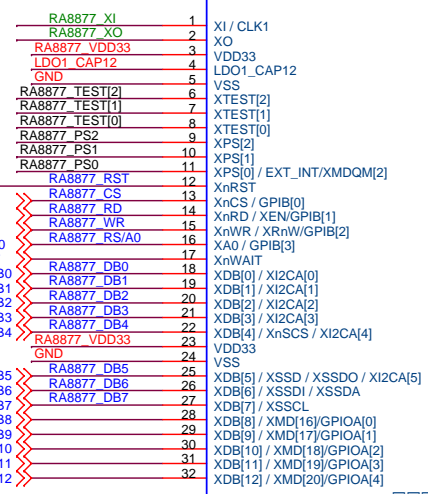
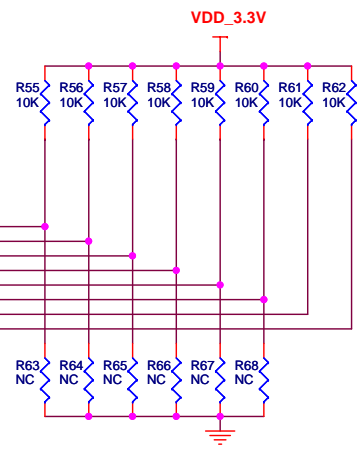
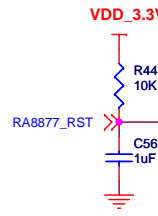
Size A	Document Number 03_RA8877+STM_SDRAM	Rev A
-----------	--	----------

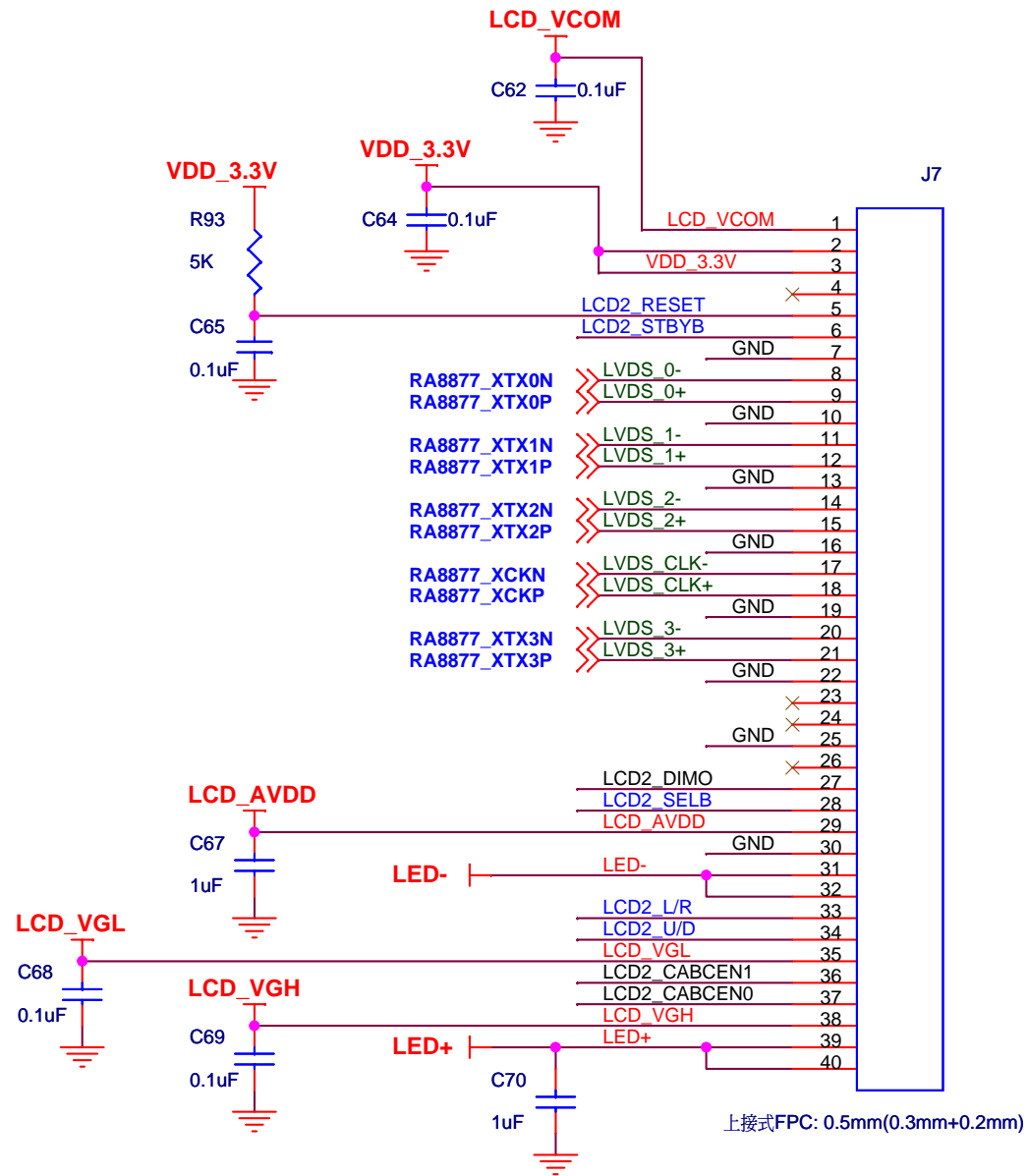
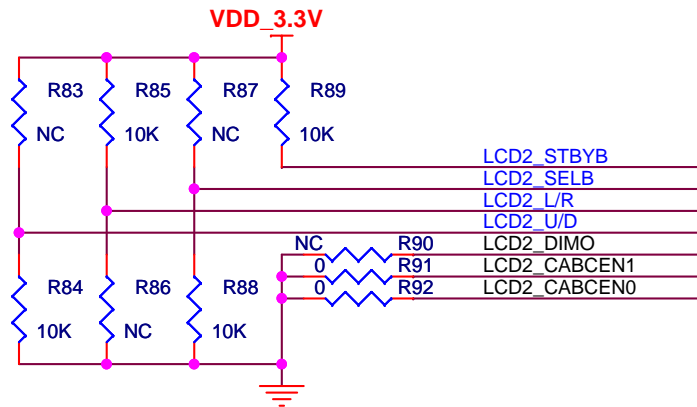


RA8877+STM32F103VE_Evaluation Board		
Size A	Document Number 04_RA8877+STM_Flash/ROM	Rev A
Date:	Wednesday, February 03, 2016	Sheet 4 of 6



[PS.2:0]
 00x : 8080
 01x : 6800
 100 : 3-wire
 101 : 4-wire
 11x : I2C





上接式FPC: 0.5mm(0.3mm+0.2mm)

RA8877+STM32F103VE_Evaluation Board

Size A	Document Number 06_RA8877+STM_LCD	Rev A
Date: Wednesday, February 03, 2016	Sheet 6	of 6