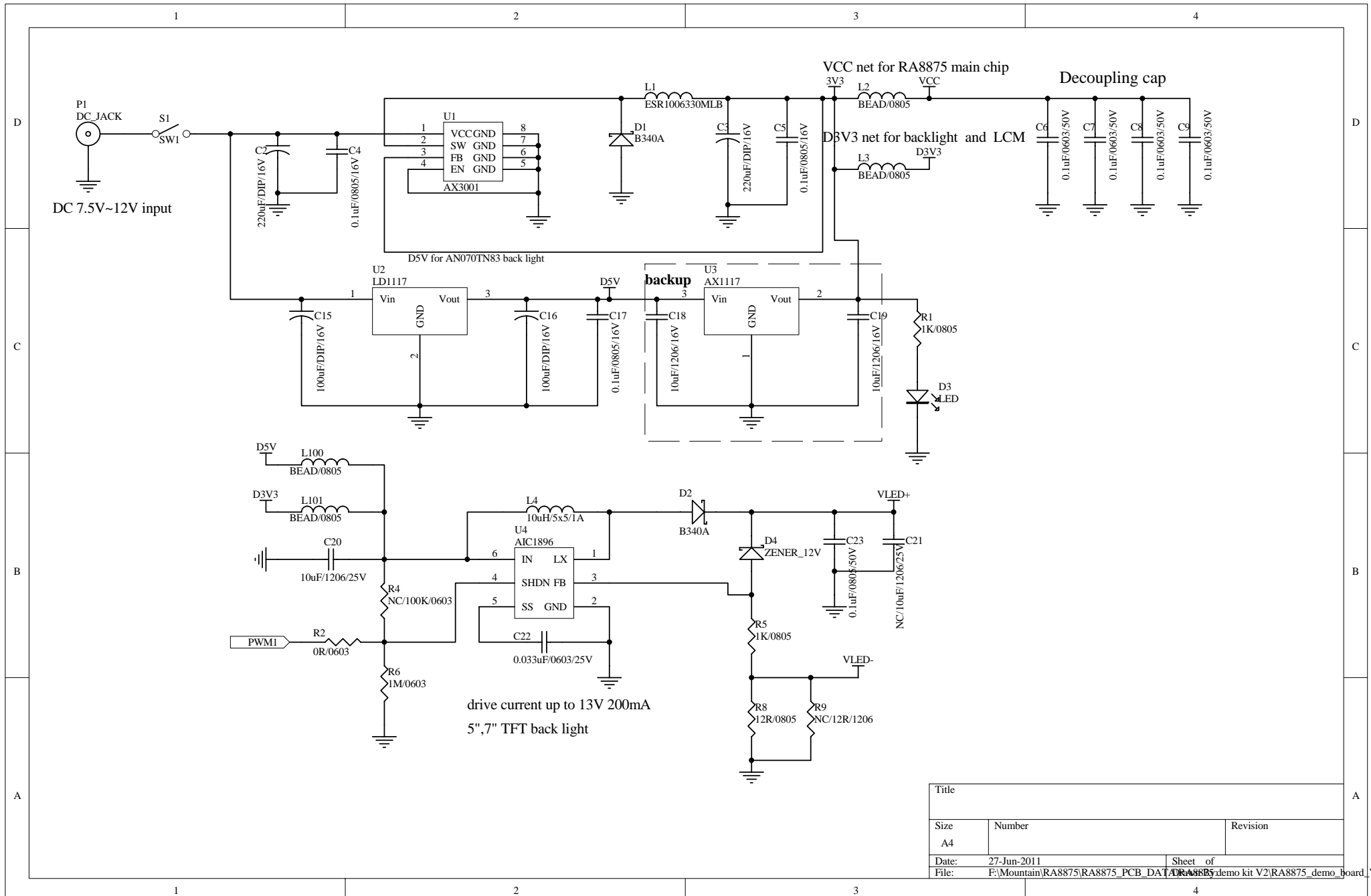
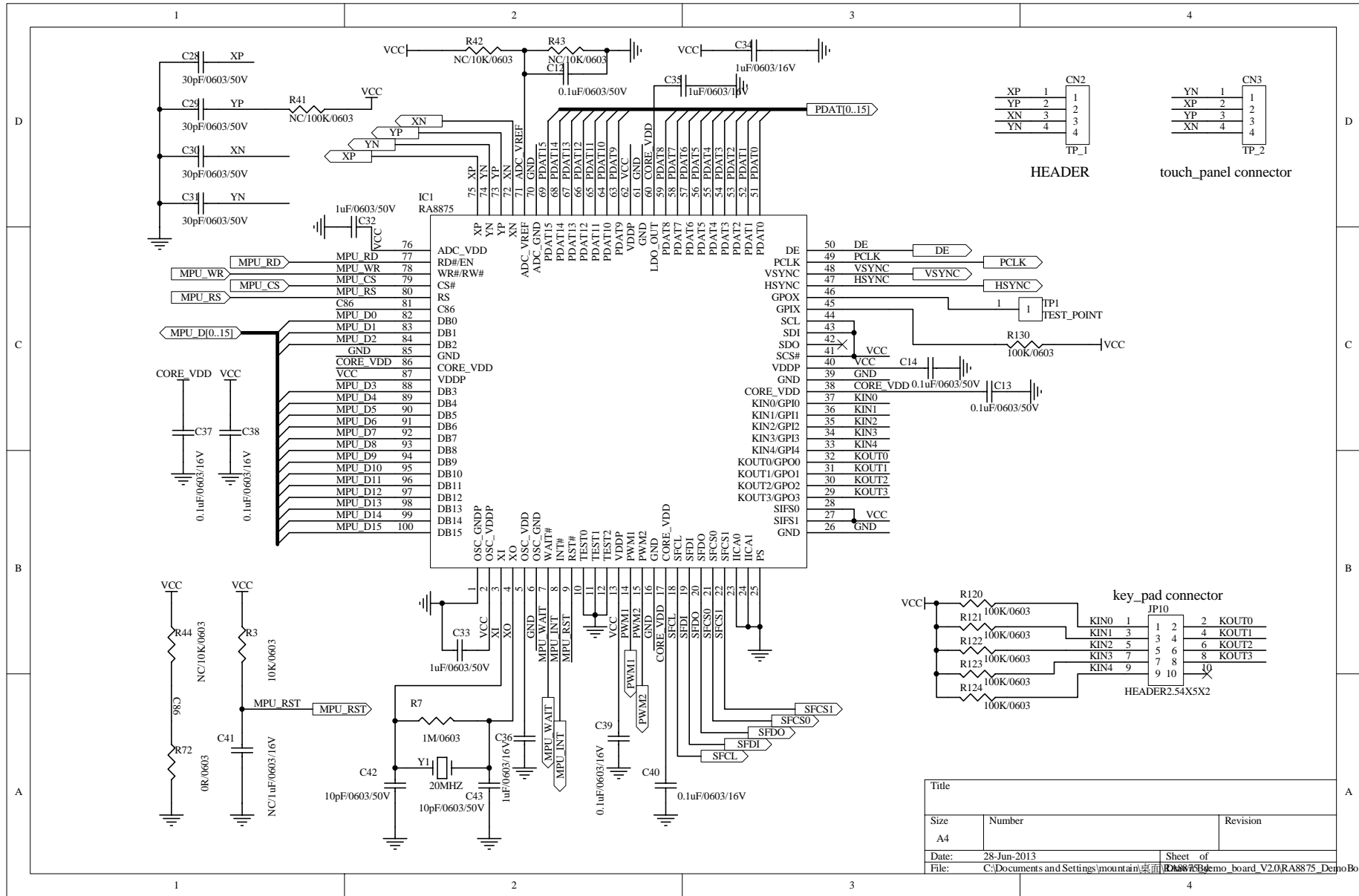


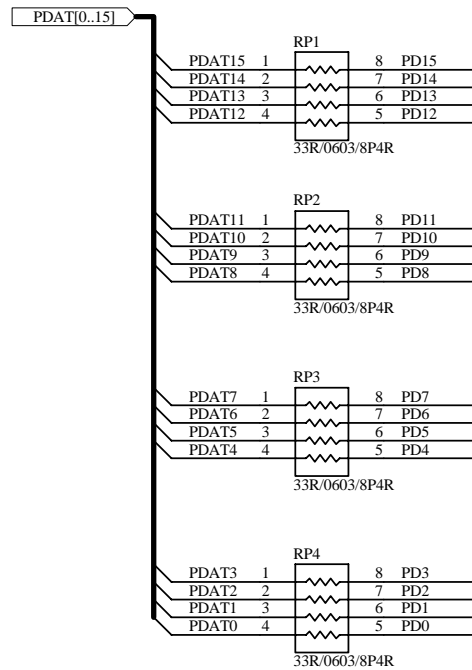
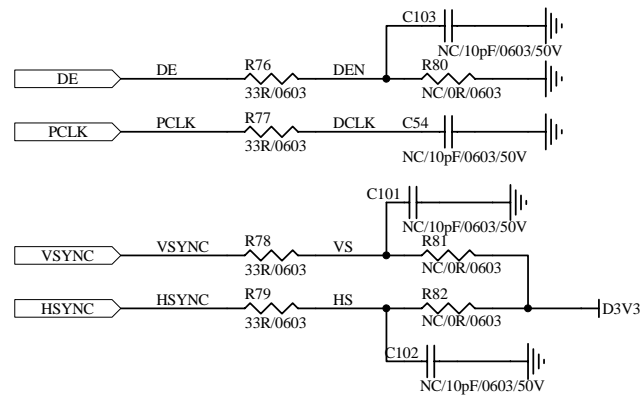
Title			RA8875_DemoBoard_V2		
Size	Number	Revision			
A4					
Date:	3-May-2011	Sheet of			
File:	F:\Mountain\RA8875\RA8875_PCB_DATA\RA8875_demo kit V2\RA8875_demo_board_V2.0				



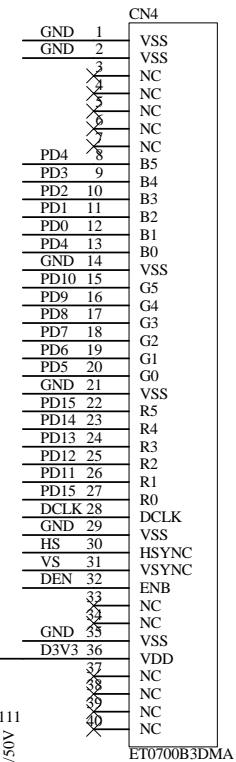
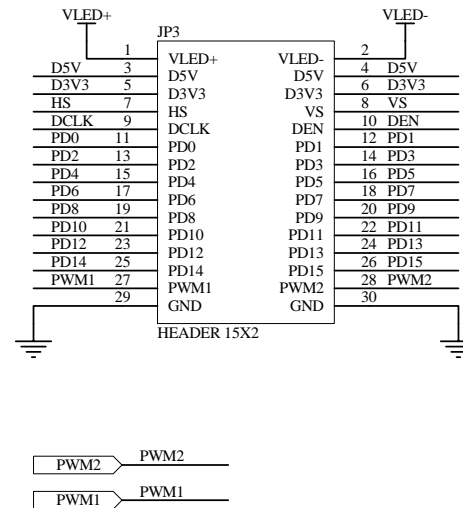
Title		
Size	Number	Revision
A4		
Date:	27-Jun-2011	Sheet of
File:	F:\Mountain\RA8875\RA8875_PCB_DATA\RA8875_demo kit V2\RA8875_demo_board_V2.0	



Title		
Size	Number	Revision
A4		
Date:	28-Jun-2013	Sheet of
File:	C:\Documents and Settings\mountain\桌面\RA8875 Demo Board_V2.0\RA8875 DemoBoard_V2.ddb	



For EMI issue



Title			RA8875_DemoBoard_V2		
Size	Number	Revision			
A4	03_LCD_IF				
Date:	3-May-2011	Sheet of			
File:	F:\Mountain\RA8875\RA8875_PCB_DAT\RA8875_demo kit V2\RA8875_demo_board_V2.0				

1

2

3

4

D

D

C

C

B

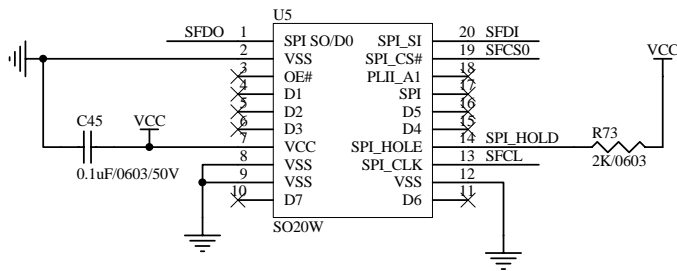
B

A

A

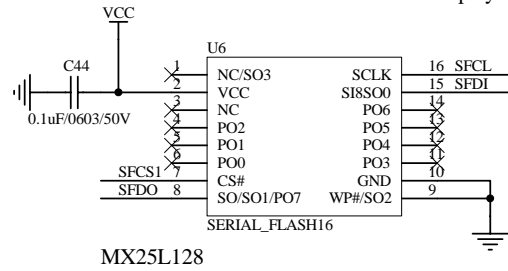
GENITOP FONT ROM

20PIN FOR GT23L16U2W/GTL24T3Y/GT23L24M1Z/GT23L32S4W



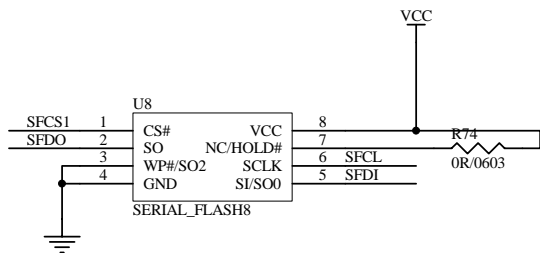
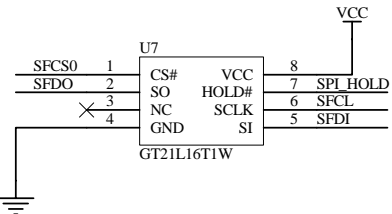
GRAPHIC SERIAL FLASH

DMA mode from serial flash to display



MX25L128

8PIN FOR GT21L16T1W



MX25L16
MX25L32
MX25L64

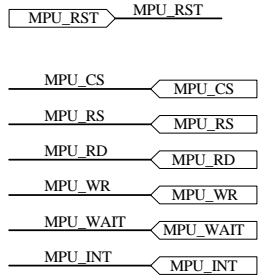
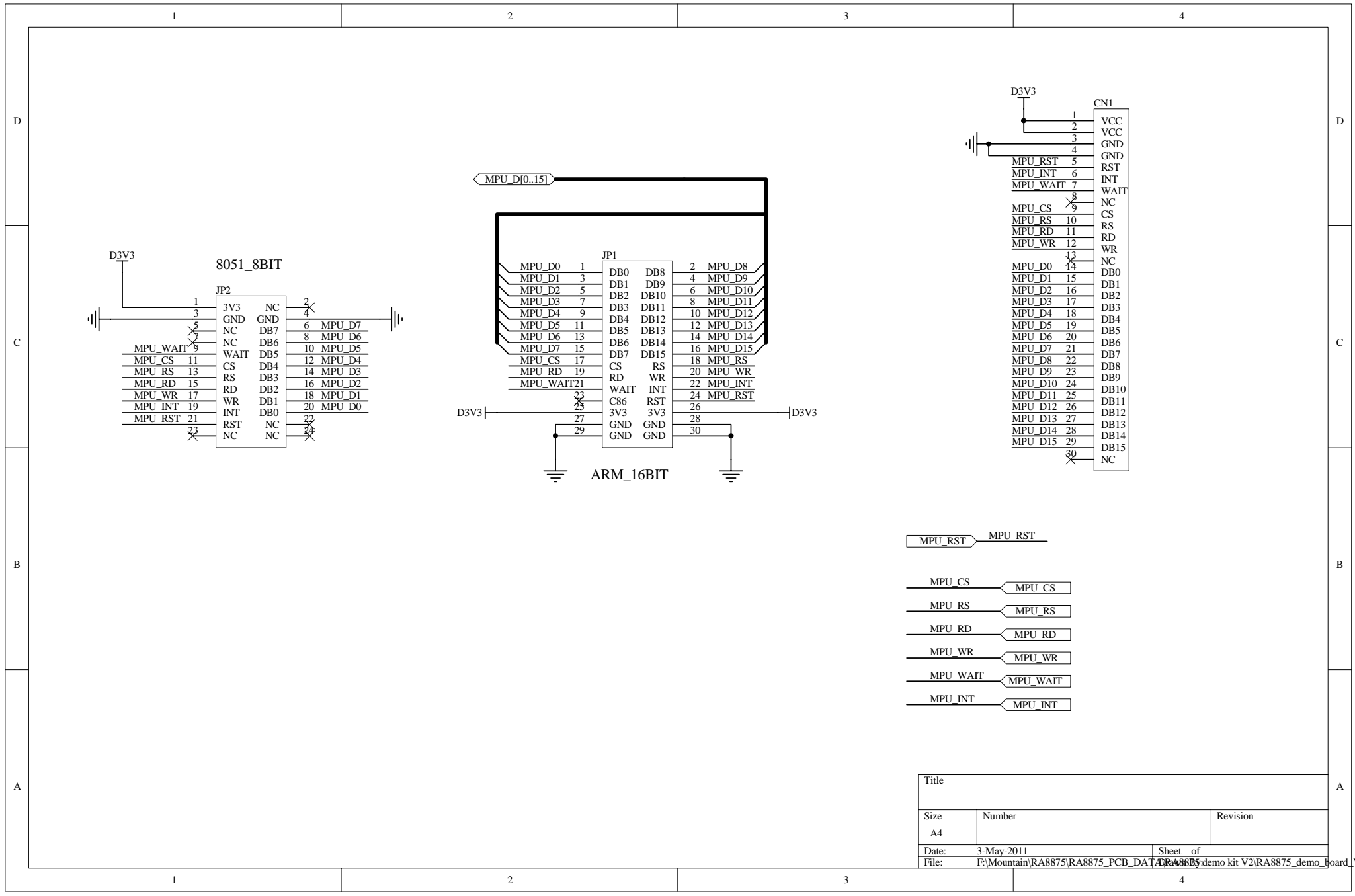
Title		
Size	Number	Revision
A4		
Date:	27-Jun-2011	Sheet of
File:	F:\Mountain\RA8875\RA8875_PCB_DATA\RA8875_demo kit V2\RA8875_demo_board_V2.0	

1

2

3

4



Title		
Size A4	Number	Revision
Date: 3-May-2011	Sheet of	
File: F:\Mountain\RA8875\RA8875_PCB_DATA\RA8875_demo kit V2\RA8875_demo_board_V2.0		